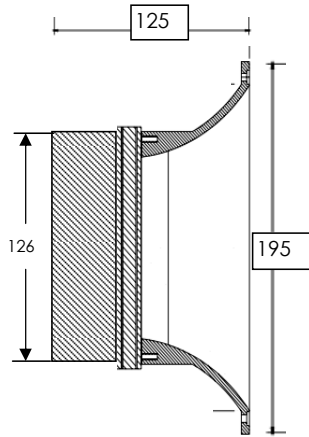
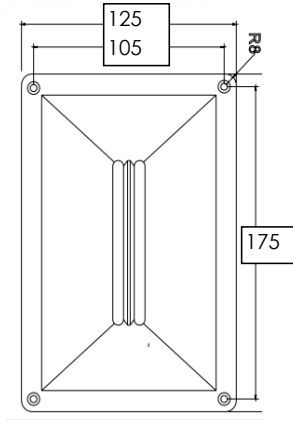
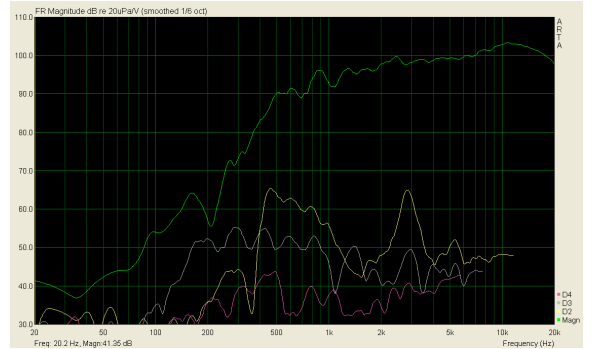


Model **M-106-SPH**



- | | |
|-----------------------------|------------------|
| Model: | M 106 SPH |
| Ribbon material: | Kapton+Aluminum |
| Impedance: | 8 Ω |
| Sensitivity: | 98 dB +/- 3 |
| Frequency range: | 55 Watt (OCT) |
| Power handling: | 120 Watt (OCT) |
| Max power: | 710 g |
| Net Weight: | 195*125*125 mm |
| Out dimension: | 1 kHz 4th order |
| Recommend crossover: | |
| Baffle cut-out: | 169 * 96 mm |
| Front horn material: | molded plastic |
| Magnet material: | Neodymium N35SH |



Directivity: frt: blue, 30° side: yellow, 60° side: red, 20° up: green:

