

PAP-108

AKIP LAB RIBBON SPEAKERS

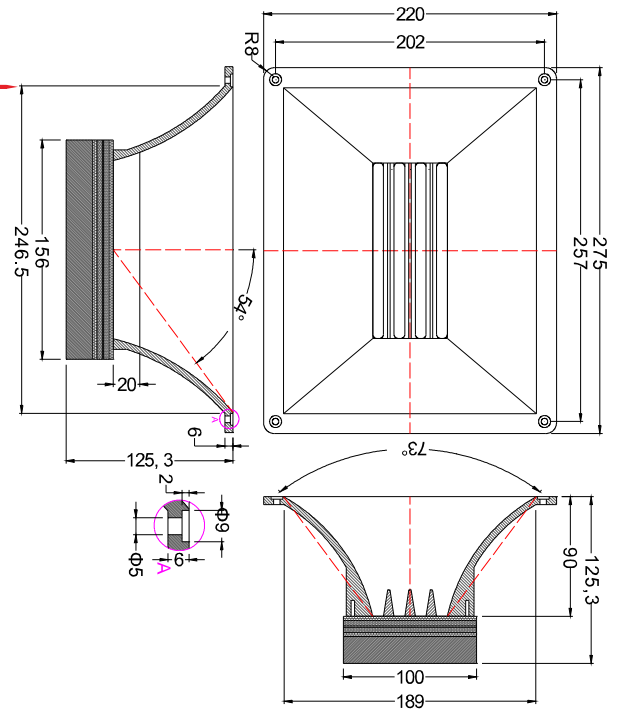
FEATURE

- ▶ Neodymium magnet system
- ▶ High temperature heat resistant
- ▶ Clarity & nature high frequency
- ▶ Line array application
- ▶ Aluminum horn
- ▶ Rich mid-range
- ▶ Design for PA, STAGE



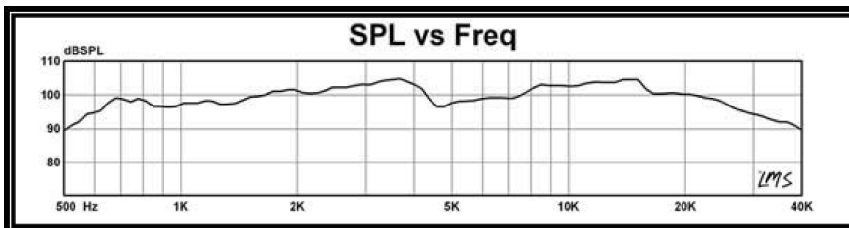
SPECIFICATION

Model:	PAP-108
Ribbon material:	Kapton+Aluminum
Impedance:	8 Ω
Sensitivity:	99db±3db
Frequency range:	700hz~22Khz
Power handling:	80Watt(OCT)
Max power:	160Watt(OCT)
Net Weight:	2.5KG
Out dimension:	275*220* 125mm
Recommend crossover:	1Khz/2nd order



SPL VS FREQ

Lms4.5
 Input:1w
 Mic:1m
 500Hz-40KHz
 On axis



Revision:2.1.10